

# 6" A arm Lift Kit

## Club Car 1982-mid 2003 Electric

## Club Car 1997-mid 2003 Gas

### LKT CC2 0066



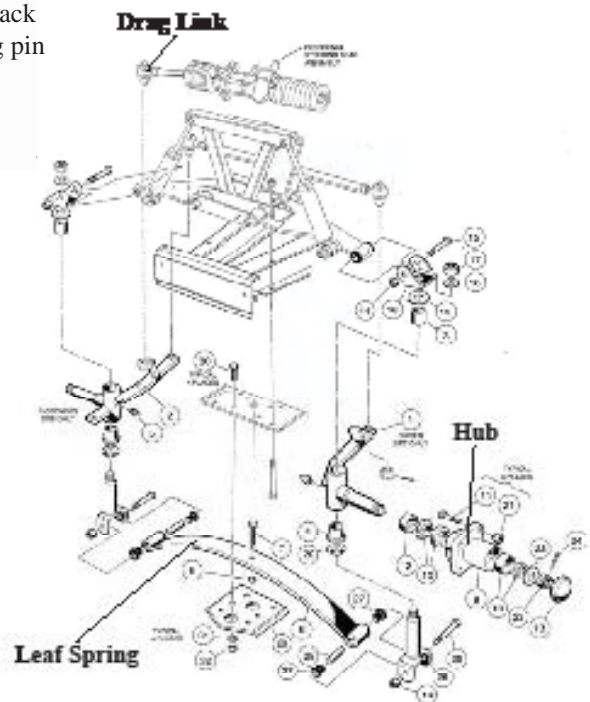
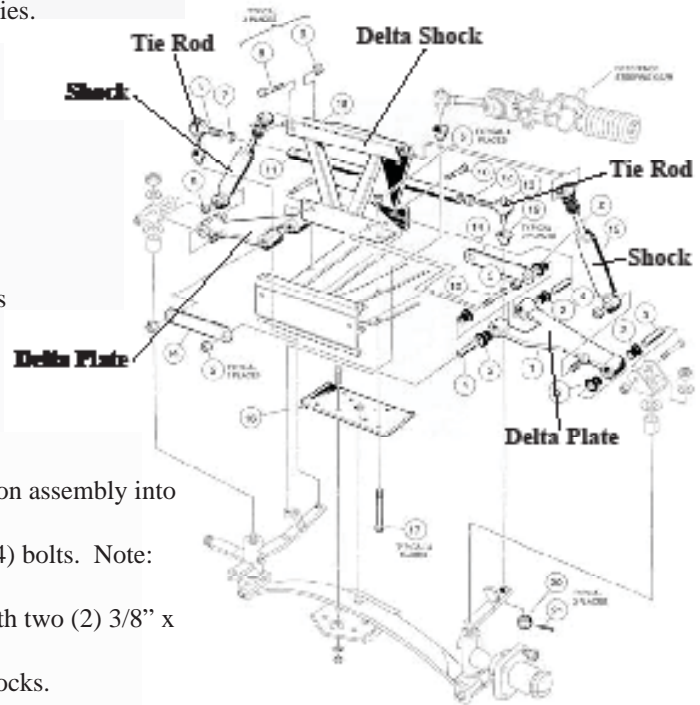
CAUTION- Please wear eye protection! Unhook battery or batteries.

#### Front Disassembly

- Raise unit & support from with jack stands
- Remove wheels & wheel hubs
- Remove draglink from steering rack & tie rod from steering arms
- Remove shock absorbers
- Remove OEM A-Arms (Delta Plates)
- Remove bolts from leaf spring mounting plate & lower OEM parts
- Remove four (4) bolts holding delta shock to frame and discard OEM spring plate. (Save two (2) bolts)

#### Front Assembly

- Install new lower A-Arm assembly by locating two (2) 3/8" bolts on assembly into frame holes & install nyloc nuts
- Install two (2) rear bolts in A-Arm assembly and tighten all four (4) bolts. Note: Use two (2) OEM bolts with nuts.
- Install supplied shock mount plate to front of OEM shock tower with two (2) 3/8" x 3/4" bolts and nuts.
- Install new upper A-Arms with supplied bolts and nuts. Install shocks.
- Note: A-Arms are marked D=Driver Side and P=Passenger Side.
- Install spindles to upper and lower A-Arms. Tighten bolts completely and back nyloc nuts of 1/2"- 3/4" turn for proper movement of suspension. Tighten king pin bolts
- Reinstall wheel hubs and remove jack stands
- Adjust wheel camber by pulling bottom of tire out until desired camber.
- Tighten lower A-Arm mounting bolts. Adjust toe-in with tie-rod (0"- 1/8" toe-in at front of tires)



BUGGIES UNLIMITED  
888-444-9994  
buggiesunlimited.com

# 6" A arm Lift Kit

## Club Car 1982-mid 2003 Electric

## Club Car 1997-mid 2003 Gas

### LKT CC2 0066



#### Rear Assembly

Raise unit and support frame with jack stands.  
Remove shocks from axle  
Remove wire clips holding brake cables to frame

**CAUTION - Please wear eye protection!**  
**Unhook battery or batteries.**

#### Gas

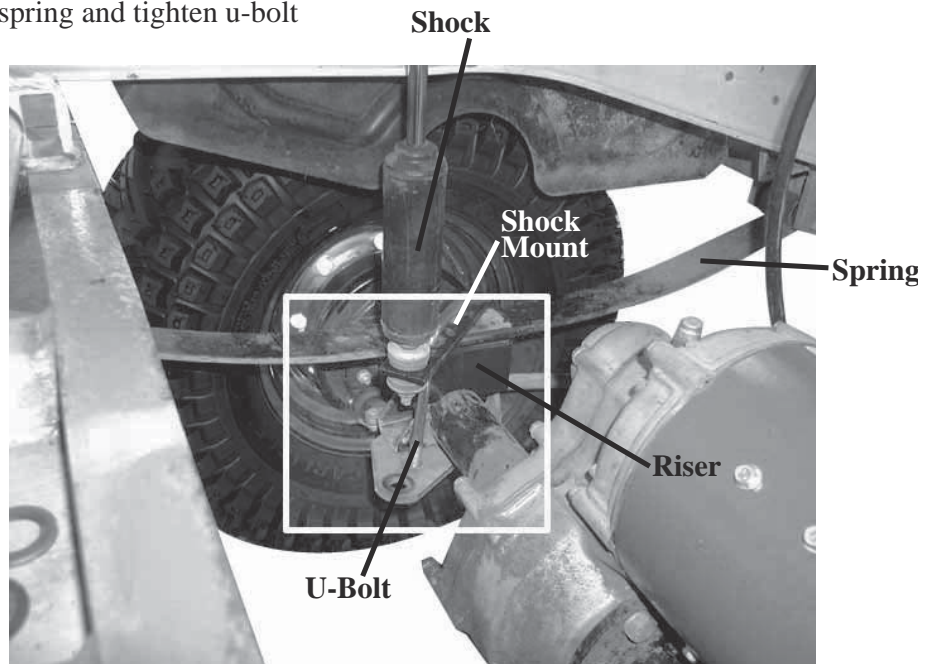
Remove access. Panel above bag well and remove ground wire from frame. Note: It will be necessary to extend or replace ground wire from frame to starter/generator. Cut nylon ties holding wiring harness to engine pan.

#### Electric

On some models it may be necessary to lengthen motor wires.

**Note:** The following steps should be done on one side of the cart at a time

Remove O.E.M. u-bolt and lower brake cable plate Note: (DO NOT remove cable from plate!)  
Raise axle off of leaf spring. Remove leaf spring.  
Lower axle and re-install leaf spring  
Install new u-bolt with shock mount onto leaf spring and reinstall brake cable plate onto u-bolt. Start nuts onto u-bolts.  
Install axle riser between axle and leaf spring and tighten u-bolt  
Repeat on other side of cart  
Install shocks to new shock mounts



Buggies Unlimited  
888-444-9994  
buggiesunlimited.com

## STEERING ADJUSTMENT

1. Stand on the driver side of the vehicle and turn the steering wheel to the left until travel stops. Note the distance between the driver side spindle stop and the driver side A-plate. Turn the steering wheel to the right and note the distance between the passenger side spindle stop and the passenger side A-plate.
2. Loosen the nuts and turn the drag link to adjust the length of the drag link rod so that, with the rack at its limit of travel in a right hand turn, the passenger side spindle just touches the passenger side A-plate. The internal stop on the rack must reach its limit of travel against the rack and pinion housing at exactly the same time the spindle stops against the passenger side A-plate (vehicle wheels are turned to the right). Straighten the wheels, and then turn the steering wheel from lock to lock. No extraordinary amount of physical exertion should be required to turn the wheels to any point. If the steering wheel is difficult to turn, inspect the steering assemblies and front suspension assemblies and repair or replace components as necessary.

### CAUTION:

**The drag link has both left and right hand threads. The end of the drag link toward the spindle has left hand threads, and the end toward the rack has right hand threads. To prevent damage to threaded parts, care should be taken when servicing the drag link rod.**

3. When all adjustments have been completed, tighten the nuts on the drag link assembly with an open end wrench.

### NOTE:

**When tightening the nuts, make sure that the drag link rod does not turn.**

#### **INDEMNIFICATION AND INSURANCE AGREEMENT**

**Lift kit installation should be performed by a professional. The lift kit purchaser assumes sole and entire responsibility for, and shall indemnify and save harmless Mattison Avenue Corporation (d.b.a. Buggies Unlimited), from any and all claim, liability, responsibility, and damage, or any costs or expenses resulting from any loss of life or injuries or claimed injuries to persons or property that may be sustained in connection with the use of any product before or after purchase, including but not limited to lift kits. The lift kit purchaser also shall indemnify Mattison Avenue Corporation (d.b.a. Buggies Unlimited) and save Mattison Avenue Corporation (d.b.a. Buggies Unlimited) harmless with respect to any and all liability that may be incurred.**

**Golf carts are recommended for use only by those aged 16 and older. Golf carts can be especially hazardous to operate. Always remember that riding and alcohol/drugs don't mix. Never ride on public roads. Never carry more than two passengers (except shuttles and trams). Never engage in stunt driving. Avoid excessive speeds and be particularly careful on difficult terrain. Buggies Unlimited reserves the right, at any time, to discontinue or change specifications, prices, designs, features, models or equipment without notice and without incurring any obligation.**